

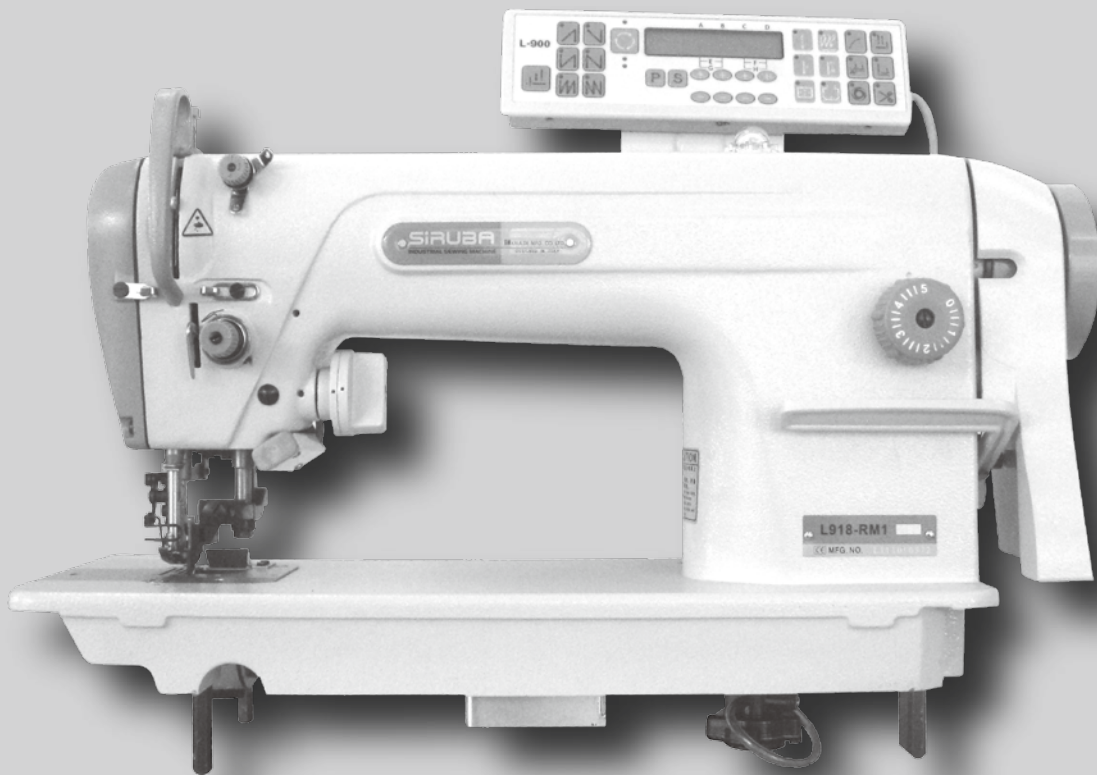
**SIRUBA®**

銀爺牌工業用縫紉機

INDUSTRIAL SEWING MACHINE

**L918-RM**

零件圖 PARTS LIST



CE

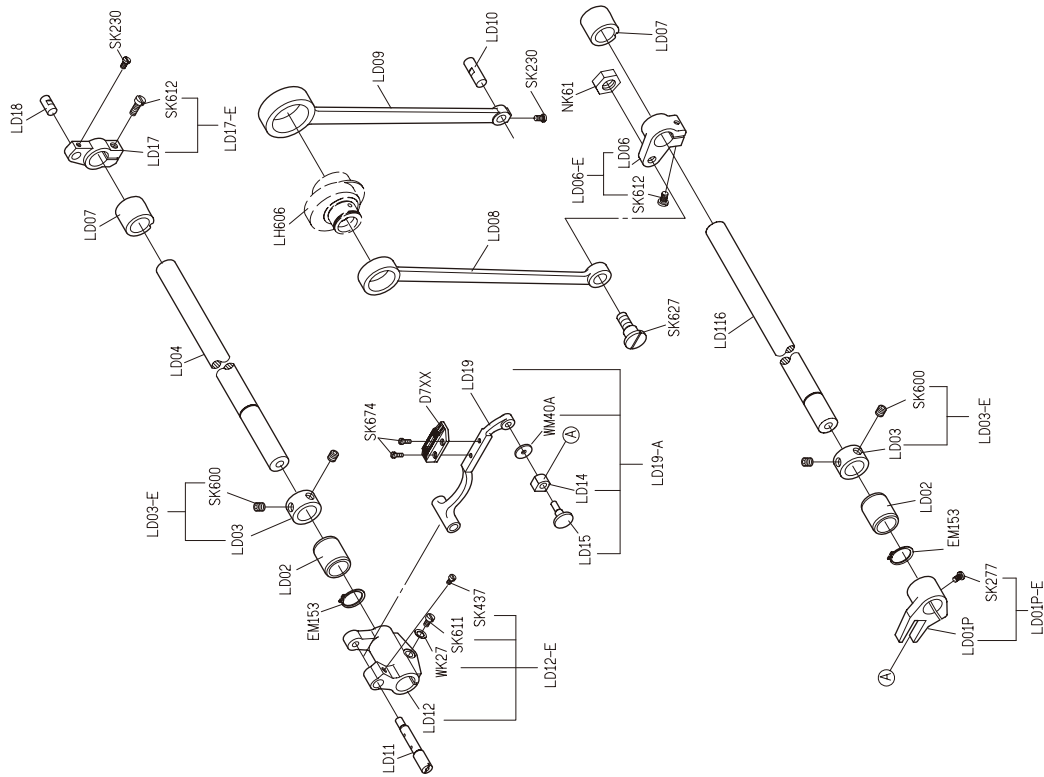


高林股份有限公司  
KAULIN MFG. CO., LTD.

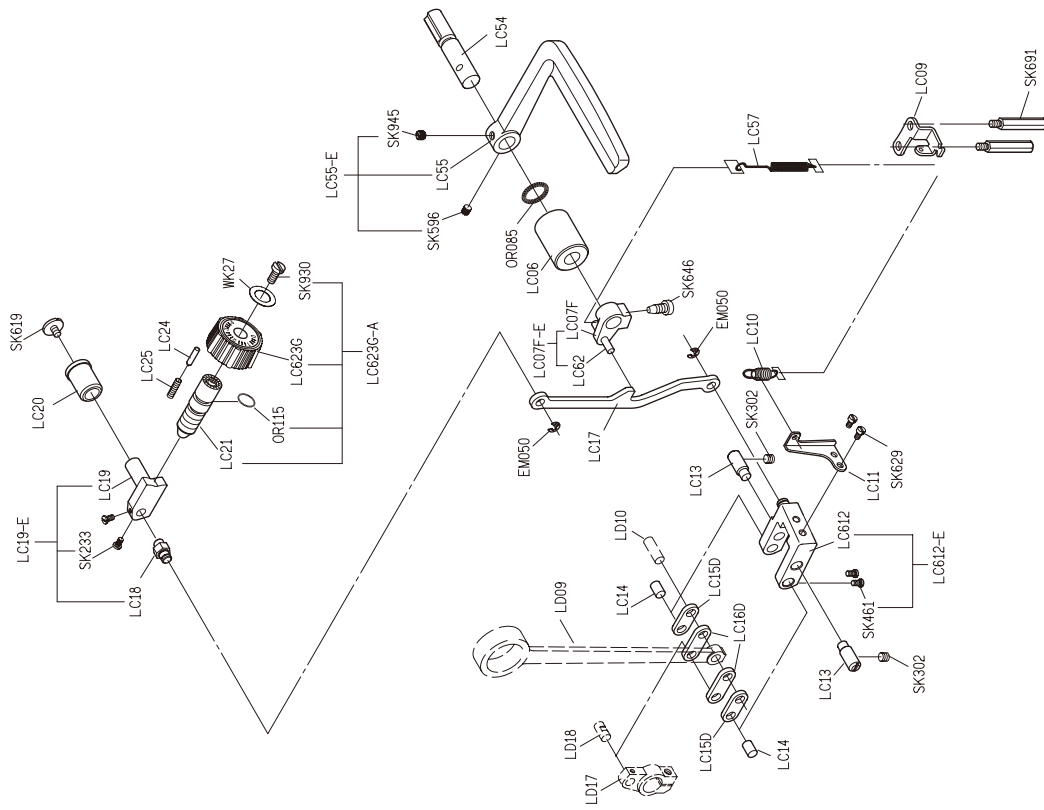


MODEL 機型	SUB-CLASS 規格	GAUGE WIDTH 切邊距離	NEEDLE PLATE 針板	FEED DOG 送具	PRESSER FOOT 押具	HOOK ASM 梭頭	BOBBIN CASE ASM 梭殼	BOBBIN 梭子	THROAT PLATE CHIP GUARD 下導布架	NEEDLE 針號	THREAD GUIDE 導線片	THROAT PLATE COVER 布板蓋
L918-RM1-32	32	1/8" (3.2mm)	E705Q	D705	P705	G111	G201	G301	LR254D	DBX1#14	LR141S	LR106
L918-RM1-40	40	5/32" (4.0mm)	E705R (E705Q)	D705	P705	G111	G201	G301	LR254D	DBX1#14	LR141S	LR106
L918-RM1-48	48	3/16" (4.8mm)	E705 (E705Q)	D705	P705	G111	G201	G301	LR254D	DBX1#14	LR141S	LR106
L918-RM1-64	64	1/4" (6.4mm)	E705S (E705Q)	D702 (D705)	P701 (P705)	G111	G201	G301	LR254 (LR254D)	DBX1#14	LR141 (LR141S)	LR106S (LR106)
L918-RM1-95	95	3/8" (9.5mm)	E705T (E705Q)	D702 (D705)	P701 (P705)	G111	G201	G301	LR254 (LR254D)	DBX1#14	LR141 (LR141S)	LR106T (LR106)



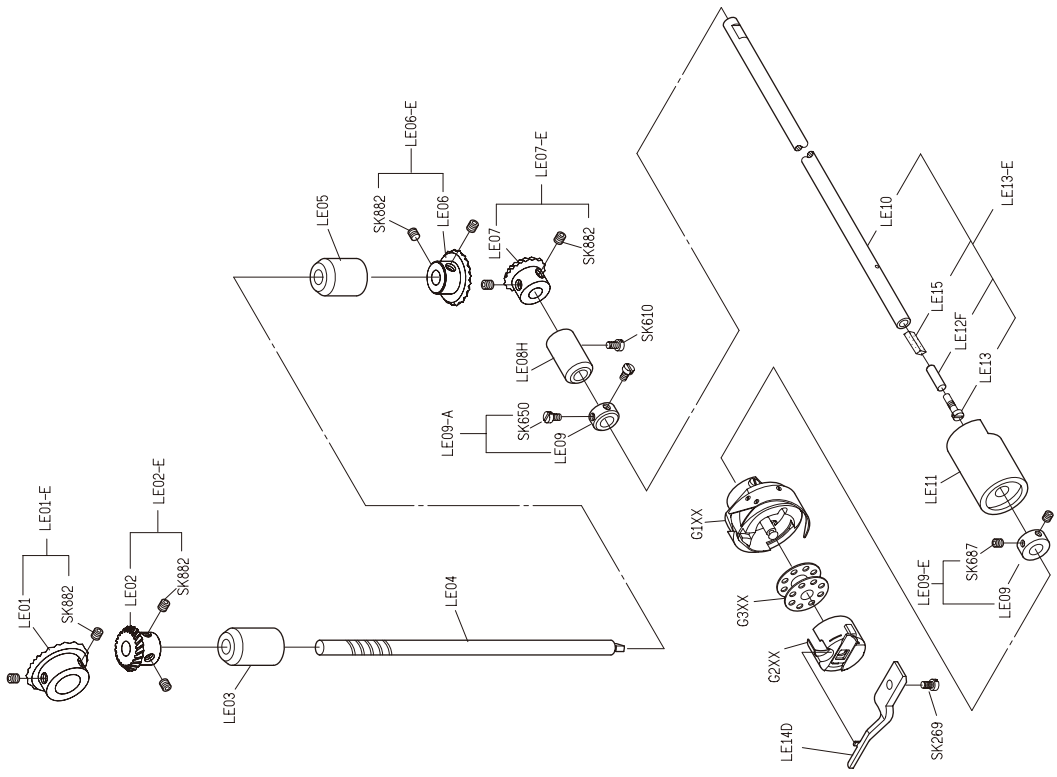


PARTS LIST FOR LD GROUP

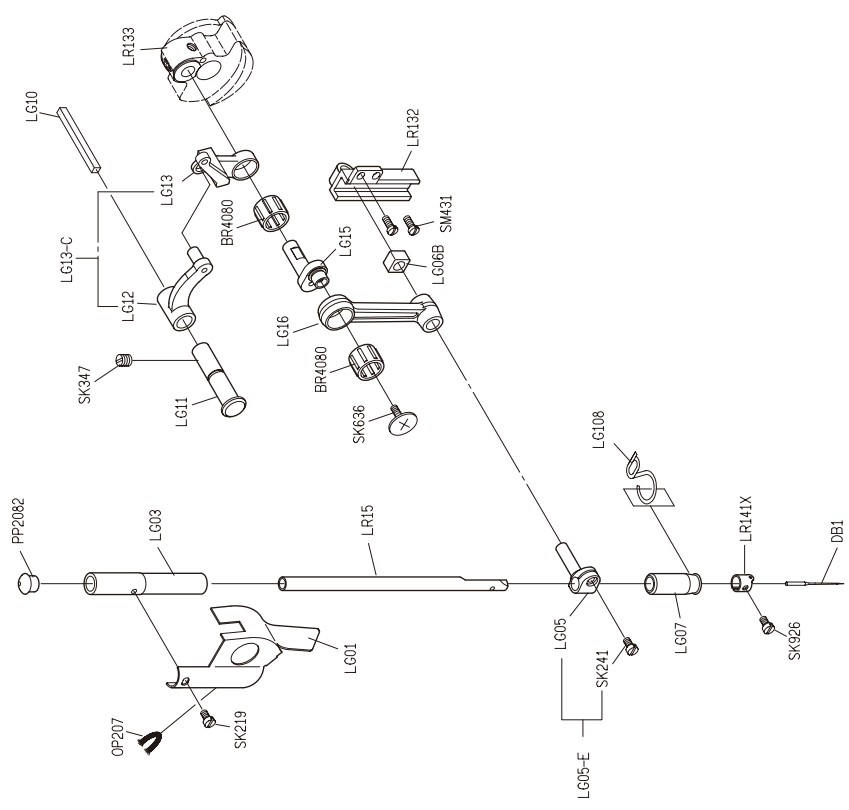


PARTS LIST FOR LC GROUP

# PARTS LIST FOR LE GROUP



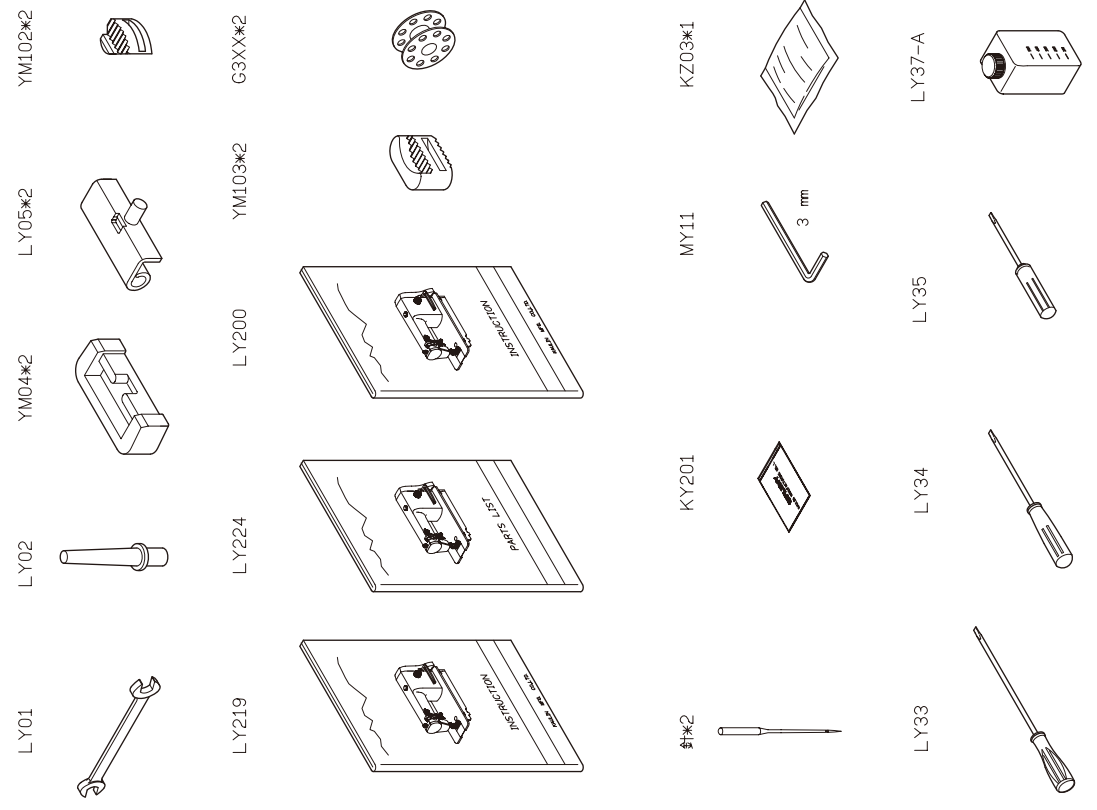
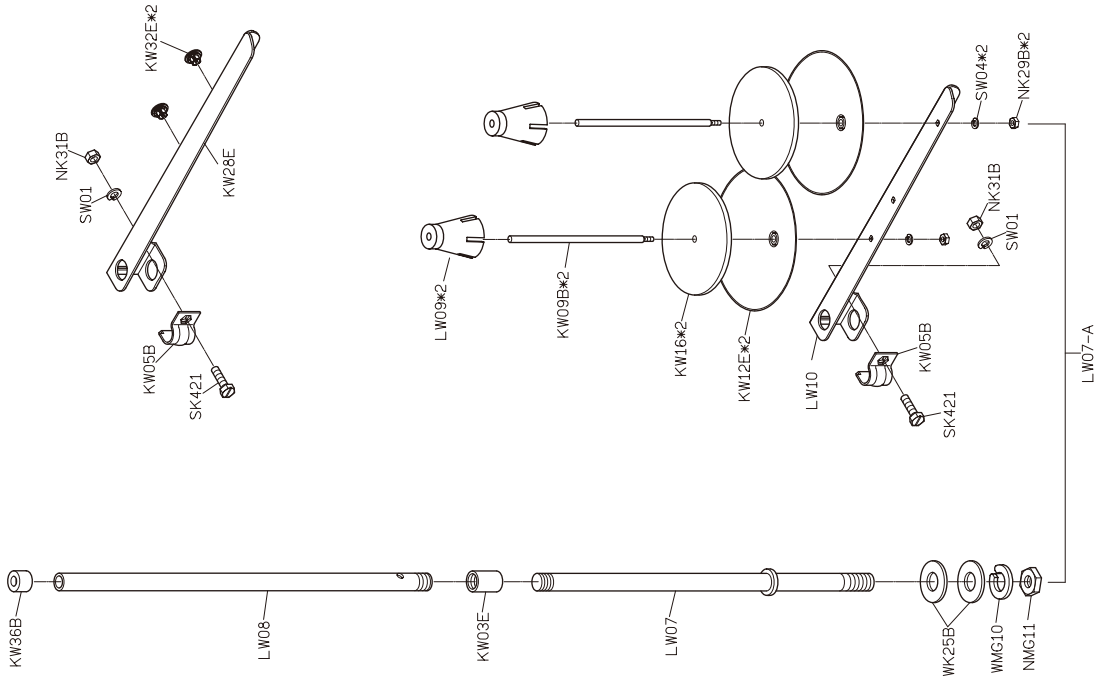
# PARTS LIST FOR LG GROUP





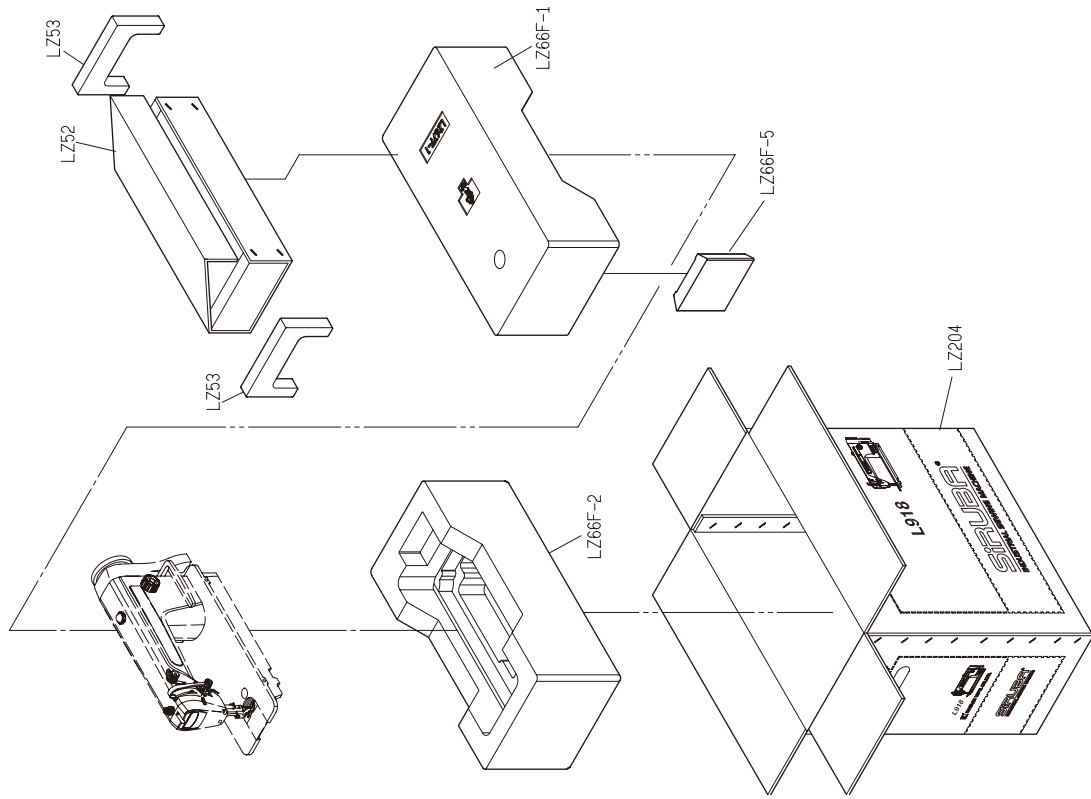






**PARTS LIST FOR THREAD STAND GROUP**

**PARTS LIST FOR LY GROUP**







# L918-RM

高林股份有限公司 KAULIN MFG. CO., LTD.